



MODELS

VT-4A, VT-4AB, CVT-24A,
VT 4S2, VT 4S5

VT-5A, VT-5AB

VT-6A, VT-6AB, CVT-26A
VT 6S2, VT 6S5

FEATURES

- Operates Hastings Instruments most popular DV -4, DV-5, and DV-6 Gauge Tubes.
- RANGES
 - DV-4 (0-20 Torr)
 - DV-5 (0-100 mTorr)
 - DV-6 (0-1000 mTorr)
- Compatible with Calibration Reference Tubes
- 0-1 VDC Output (non-linear)
- Control Set-point Relays (CVT only)
- Dial face available in Torr, mbar, or Pa

APPLICATIONS

- Vacuum Metallurgy
- Vacuum Furnace
- Refrigeration (HVAC)
- Freeze Drying
- Lamp/Bulb Manufacturer
- Power/Transformer Maintenance
- Cryogenic/Vacuum Insulation

BENEFITS

- Reliable
- Needle Movement shows rate of change
- Easy to Install and Use

VT and CVT Vacuum Measurement



DESCRIPTION

Teledyne Hastings Instruments (THI) VT-Series Vacuum Gauges are the original models that have generated repeat customers for over 60 years. Their reputation is built upon exceptional stability, accuracy, and reliability under the most demanding conditions.

VT-Series Vacuum Gauges are available in three standard ranges: 0-100 mTorr, 0-1000 mTorr, and 0-20 Torr. A self-contained gauge circuit is attached to the rear of the direct reading meter. All VT-Series Vacuum Gauges feature long life and minimal maintenance.

These instruments utilize THI's rugged but sensitive noble metal Thermocouple gauge tubes that are designed specifically for each range. Tubes are matched and interchangeable without calibration adjustments. They are compensated for temperature and rate of temperature change and are corrosion-resistant.

Vacuum Controllers

THI Vacuum Controllers, CVT series are fully automatic, continuous-reading instruments for unlimited vacuum applications. These controllers operate in the same standard ranges as the VT meters with the addition of double user selectable control limits. The control points are durable 5 amp single pole double throw relays which can be configured normally open or normally closed.

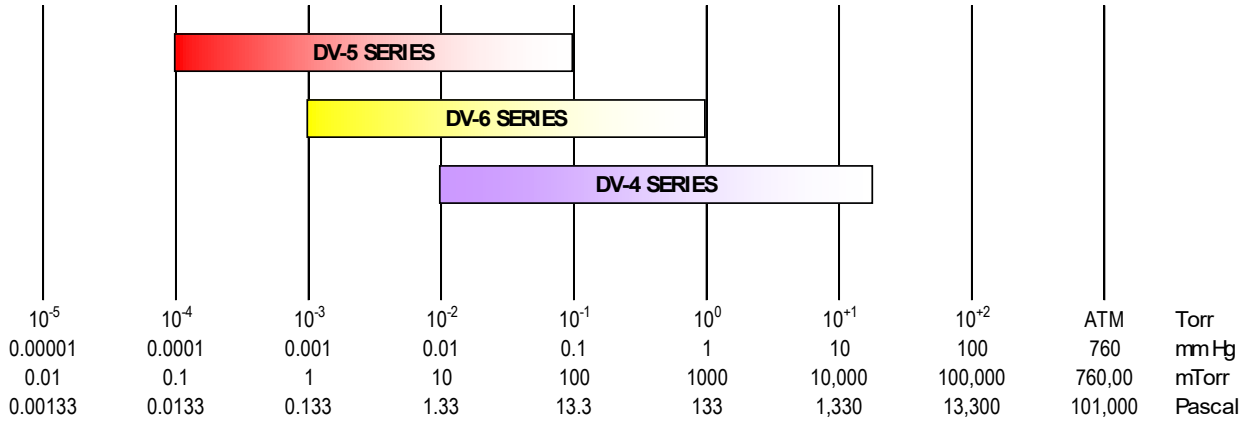
Installation Accessories

THI offers a complete line of system attachments that permits easy maintenance for contaminated operations. Gauge tubes are offered with various system fittings to match almost any system requirement.



Specifications and Standards

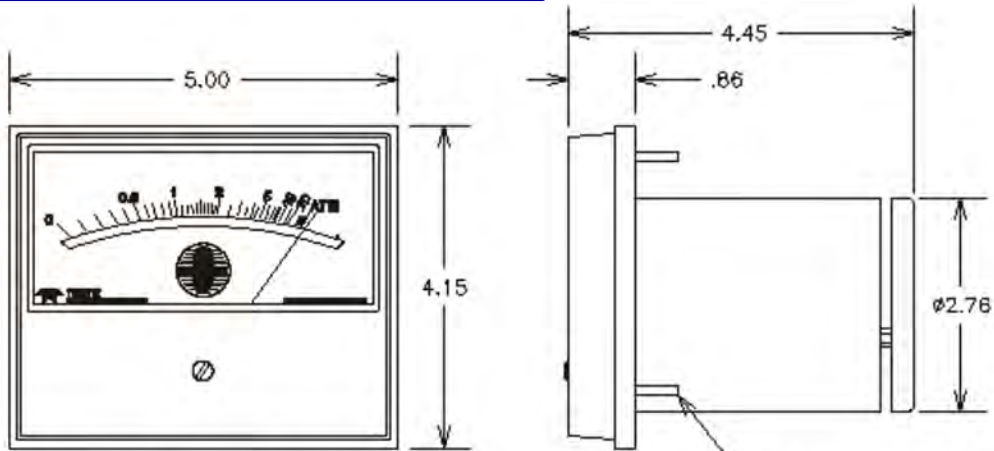
Thermocouple Gauge Pressure Ranges



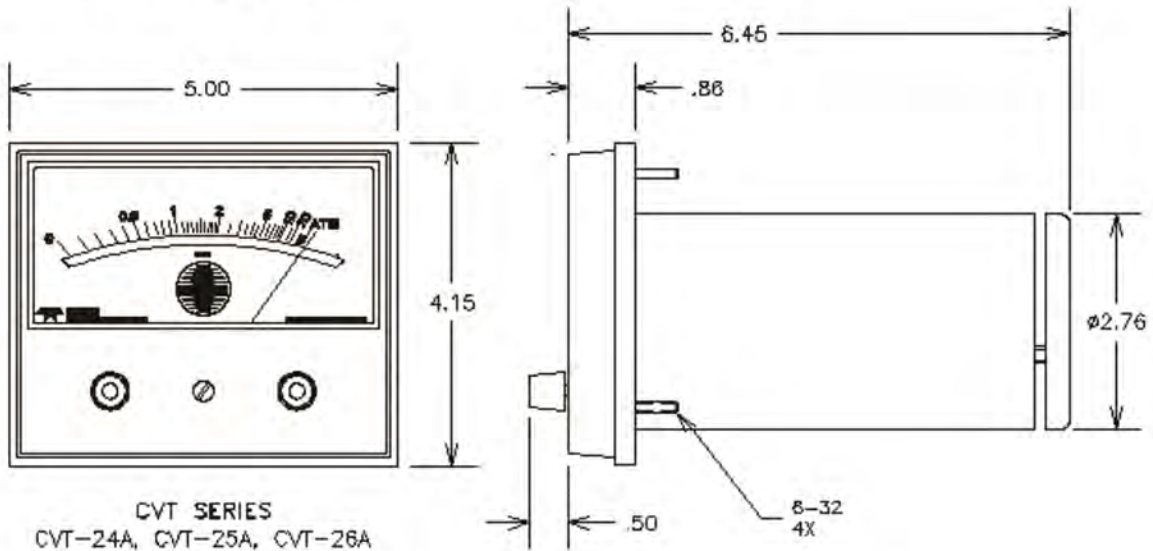
Specifications	VT & CVT SERIES	
Range	VT-4A, VT-4AB, CVT-24A VT 4S2, VT 4S5	0-20 Torr 0-100 mTorr
	VT-5A, VT-5AB	0-1000 mTorr
	VT-6A, VT-6AB, CVT-26A VT 6S2, VT 6S5	
Power Requirement	115 vac, 50/60 Hz Current 230 vac, 50/60 Hz Current	
Relays (CVT Only)	5A SPDT @ 250vac Non inductive, normally open And normally closed	
Weight	VT-4A, VT-5A, VT-6A, CVT-24A, CVT-26A	1.3 lb 1.5 lb
	VT-4AB, VT-5AB, VT-6AB	3.8 lb
	VT 4S2, VT 6S2	4.6 lb
	VT 4S5, VT 6S5	4.6 lb

Hastings Instruments reserves the right to change or modify the design of its equipment without any obligation to provide notification of change or intent to change.

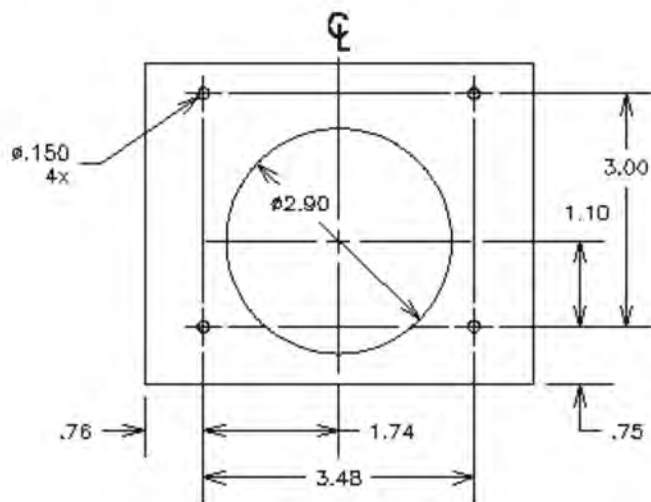
Outline Drawings



VT SERIES
VT-4A, VT-5A, VT-6A



CVT SERIES
CVT-24A, CVT-25A, CVT-26A

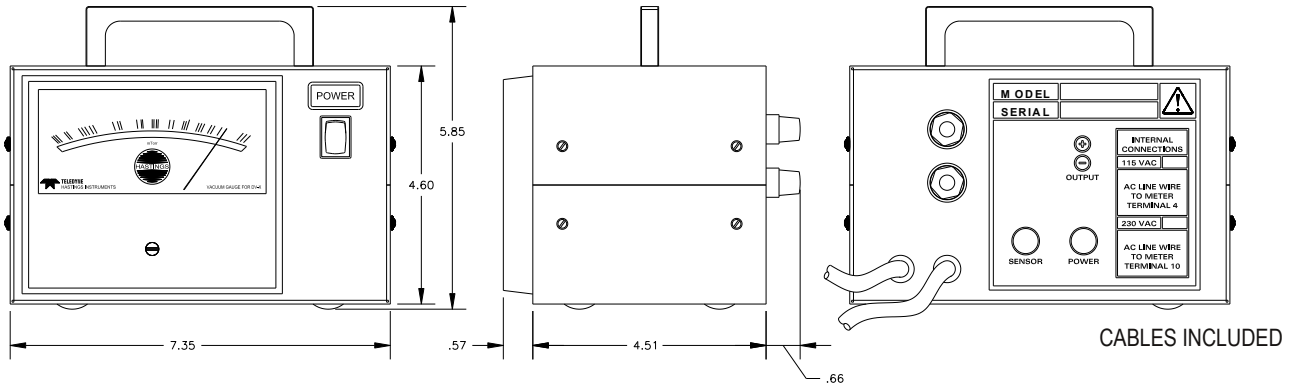


MOUNTING
DIMENSIONS

Outline Drawings Cabinet Models

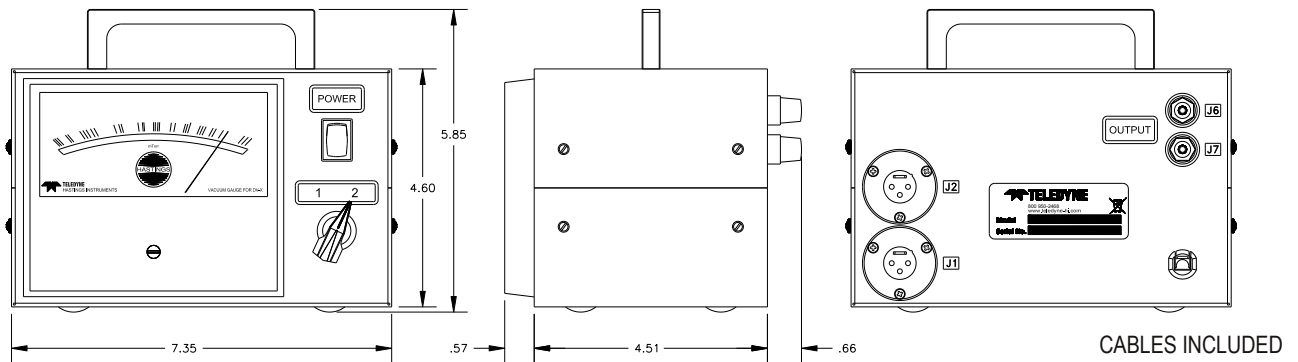
SINGLE CHANNEL

VT -4AB, VT -5AB, VT - 6AB



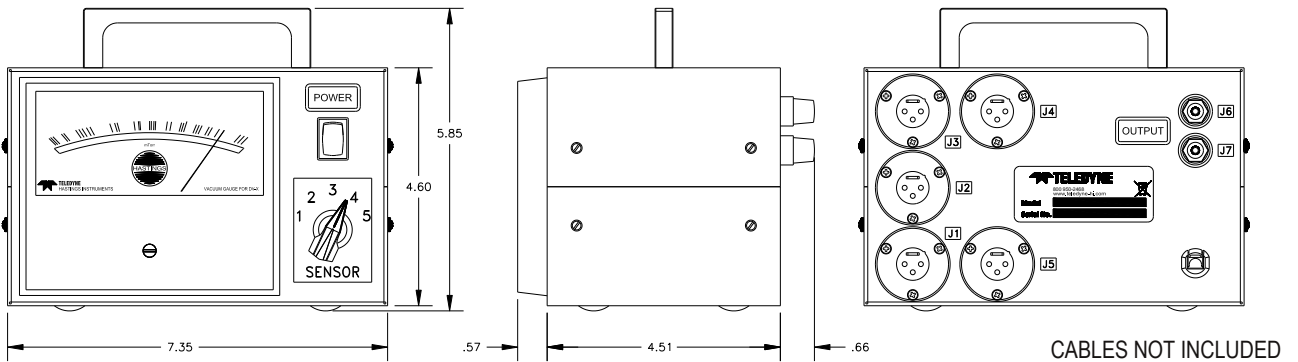
TWO CHANNELS

VT 4S2, VT 6S2



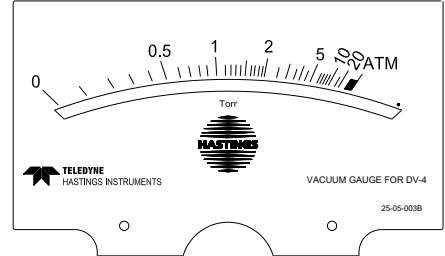
FIVE CHANNELS

VT 4S5, VT 6S5



Selection Chart, VT-4 Series

VT - 4 Series Vacuum Gauge: 0-20 Torr Range



Model Numbers
VT-4A, VT-4AB, CVT-24A
VT 4S2, VT 4S5

Stock Numbers (preconfigured for fast delivery)	
VT-4A	Panel Mount, Torr, Dial Face, 115 vac
VT-4AB	Cabinet Model, Torr, Dial Face, 115 vac
CVT-24A	Panel Mount, 2 Relay set points, Torr Dial Face, 115 vac
VT-4D	20 Torr Circuit (PC-150), Can and Cable

Configuration Codes		
VT 4A	XY	Panel Mount
VT 4AB	XY	Cabinet Model
CVT 24A	XY	Panel Mount, 2 Relay Set Points
VT 4S2	XY	Cabinet Model with 2 Position Switch
VT 4S5	XY	Cabinet Model with 5 Position Switch

X 0 = Torr 1 = mbar 2 = Pascal
Y 0 = 115 vac 1 = 230 vac

Example: **VT-4A, 2, 0** (Panel Mount with Pascal Dial Face for 115 vac operation)

Selection Chart VT-5 Series

VT - 5 Series Vacuum Gauge: 0-100 mTorr Range

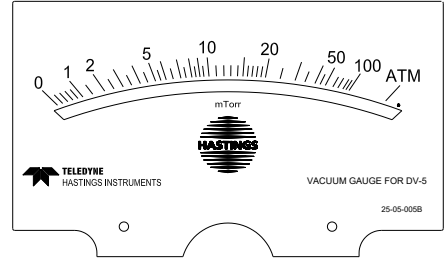
Model Numbers
 VT-5A, VT-5AB, CVT-25A S

Stock Numbers (preconfigured for fast delivery)	
VT-5A	Panel Mount, Torr, Dial Face, 115 vac
VT-5AB	Cabinet Model, Torr, Dial Face, 115 vac

Configuration Codes		
VT 5A	X Y	Panel Mount
VT 5AB	X Y	Cabinet Model

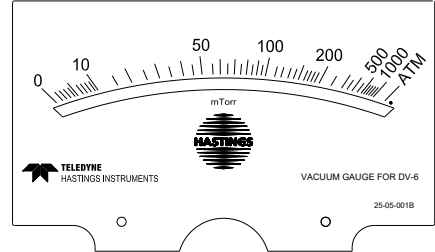
- X** 0 = Torr 1 = mbar 2 = Pascal
- Y** 0 = 115 vac 1 = 230 vac

Example: **VT-5A, 2, 0** (Panel Mount with Pascal Dial Face for 115 vac operation)



Selection Chart VT-6 Series

VT - 6 Series Vacuum Gauge: 0-100 mTorr Range



Model Numbers
VT-6A, VT-6AB, CVT-26A
VT-6S2, VT-6S5, VT-6D

Stock Numbers (preconfigured for fast delivery)	
VT-6A	Panel Mount, Torr, Dial Face, 115 vac
VT-6AB	Cabinet Model, Torr, Dial Face, 115 vac
CVT-26A	Panel Mount, 2 Relay set points, Torr Dial Face, 115 vac
VT-6D	1000 mTorr Circuit (PC-150), Can and Cable

Configuration Codes		
VT 6A	X Y	Panel Mount
VT 6AB	X Y	Cabinet Model
CVT 26A	X Y	Panel Mount, 2 Relay Set Points
VT 6S2	X Y	Cabinet Model with 2 Position Switch
VT 6S5	X Y	Cabinet Model with 5 Position Switch

X 0 = Torr 1 = mbar 2 = Pascal
 Y 0 = 115 vac 1 = 230 vac

Example: VT-6A, 2, 0 (Panel Mount with Pascal Dial Face for 115 vac operation)



Telephone: (757) 723-6531
 Toll Free: (800) 950-2468
 www.teledyne-hi.com
 E-mail: hastings_instruments@teledyne.com
 804 Newcombe Avenue
 Hampton, VA 23669

